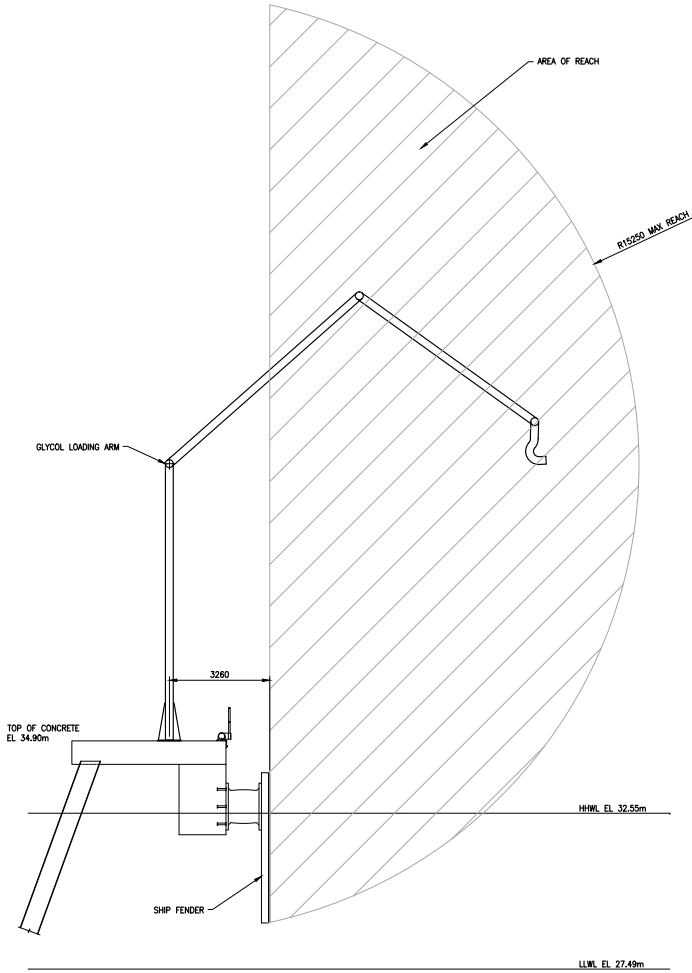
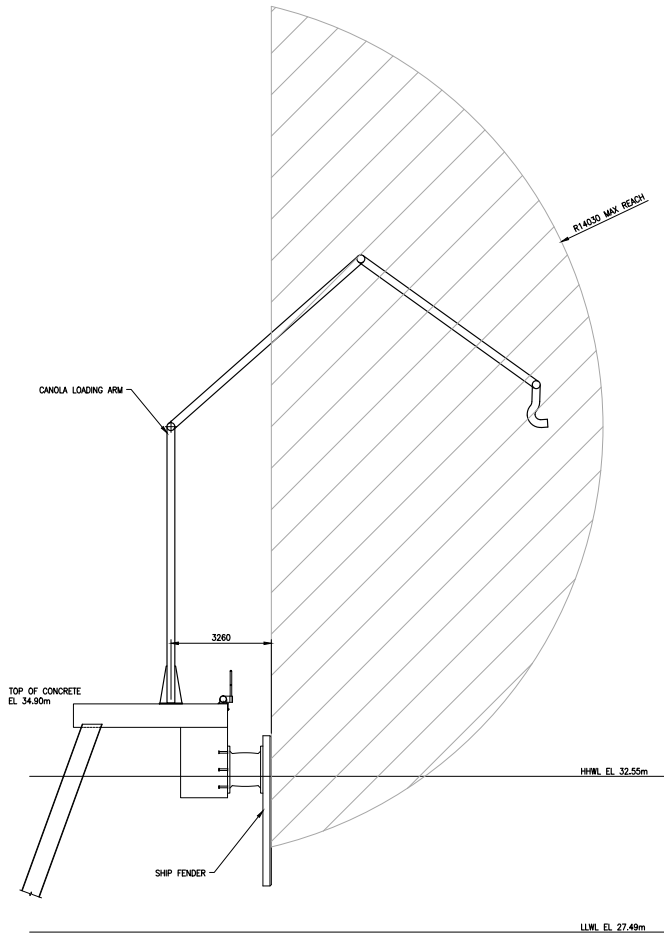


**PRELIMINARY**  
NOT FOR CONSTRUCTION

								PACIFIC COAST TERMINALS LTD. PORT MOODY, BC MARINE INSPECTION										
						<small>This drawing has been prepared by CWA Engineers Inc. as an instrument of service and is the exclusive property of CWA. This drawing shall not be used solely for the purpose of this project. The client agrees that this drawing shall not be used for purposes other than those intended, and shall hold the engineer harmless for any other such use.</small>		<b>LOADING ARM PLAN</b>										
REF.	DWG. NUMBER	DESCRIPTION	CLIENT PROJECT No: -	CWA ACAD FILE: 15857-000-GA-002-003.DWG	No.	2017-06-26	ISSUED FOR INFORMATION	CPL	-	RB	-	CAP	APPROVED	15857	000	GA	002	P1
REFERENCE DRAWINGS / DESIGN STANDARDS			CLIENT PROJECT No: -	CWA ACAD FILE: 15857-000-GA-002-003.DWG	No. YYYY-MM-DD		DESCRIPTION	ISSUES / REVISIONS	* HAND INITIALS ON FILE			DRAWN BY: LG/CPL		SCALE: AS NOTED				



**ELEVATION**  
1:75



**ELEVATION**  
1:75

**PRELIMINARY**  
NOT FOR CONSTRUCTION

REF.	DWG. NUMBER	DESCRIPTION



CLIENT PROJECT No: - CWA ACAD FILE: 15857-000-GA-002-003.DWG

No.	DATE	DESCRIPTION	BY	CHECKED	DESIGNED	DESIGN CHECK	APPROVED
P1	2017-06-26	ISSUED FOR INFORMATION	CPL	-	RB	-	CAP



This drawing has been prepared by CWA Engineers Inc. as an instrument of service and is the exclusive property of CWA. This drawing shall not be used for any other purpose other than those intended, and shall hold the engineer harmless for any other such use.

PACIFIC COAST TERMINALS LTD.  
PORT MOODY, BC  
MARINE INSPECTION

LOADING ARM  
ELEVATIONS

15857	000	GA	003	P1
PROJECT No.	AREA	DEPT.	DWG. No.	REV.

REFERENCE DRAWINGS / DESIGN STANDARDS CLIENT PROJECT No: - CWA ACAD FILE: 15857-000-GA-002-003.DWG ISSUES / REVISIONS \* HAND INITIALS ON FILE DRAWN BY: LG/CPL SCALE: AS NOTED